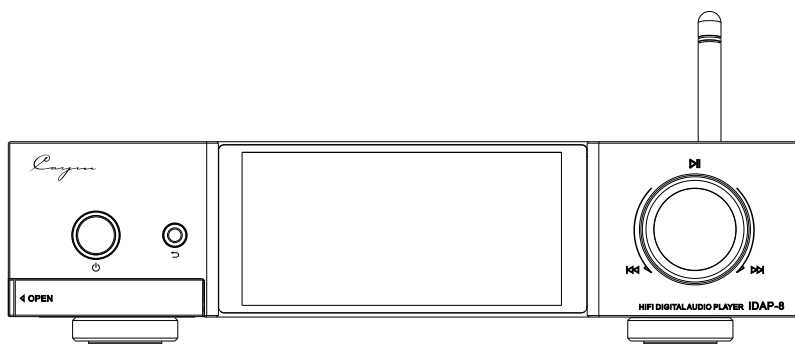


*Qayin*®

## iDAP-8数字音频播放器



使用说明书

非常感谢您使用 Cayin iDAP-8数字音频播放器。

请于使用前仔细阅读本使用说明书，以便您能够充分了解本机的使用方法及注意事项。

## 目录

|                      |      |
|----------------------|------|
| 目录                   | 1    |
| 包装清单                 | 2    |
| 本机特点                 | 2    |
| 前面板功能说明              | 3    |
| 后面板功能说明              | 4-5  |
| I <sup>2</sup> S接口定义 | 5    |
| 更换硬盘操作说明             | 5    |
| 系统连接                 | 6-7  |
| 基本操作                 | 7-10 |
| 规格参数                 | 10   |
| 一般故障处理               | 11   |

## 重要提示：

- ◆ 如果产品包装纸箱、机壳和保修卡上的产品编号不一致、被涂改或缺少产品编号、缺少保修卡，您将不能享受到正常的售后服务。
- ◆ 本说明书所提到的产品规格和资讯仅供参考。如有内容更新，恕不另行通知。

## 包装清单-----

请仔细检查包装纸箱有无摔伤、破损或湿迹。包装清单如下：

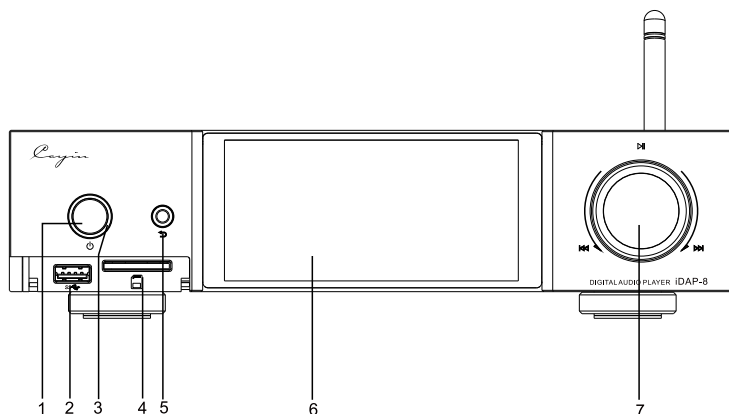
1. iDAP-8 数字音频播放器1台
2. 说明书1份
3. 备用保险管2只
4. 保修卡1份
5. 电源线1根
6. WiFi/蓝牙天线1根

填好保修卡，两周内交给经销商或寄回本公司销售部，我们将为您提供全面周到的售后服务。建议把包装纸箱和包装材料保存下来，方便以后装运使用。

## 本机特点-----

- ◆ iDAP-8是一款基于安卓系统的数字音频播放器；
- ◆ 使用5吋全高清TFT显示屏；
- ◆ 支持USB DAC Output（任意一个USB-A插座均支持），I<sup>2</sup>S（HDMI）和S/PDIF（AES/EBU、BNC、RCA、OPTICAL）多种数字音频输出；
- ◆ 配置2个USB3.0 A型母座，支持播放U盘、读卡器的音乐；
- ◆ 配置1个SD卡槽，支持播放音乐或升级固件；
- ◆ 配置1个USB3.0 B型母座，用于连接电脑管理本机U盘及硬盘文件；
- ◆ 硬盘仓可以放置一只2.5吋SATA接口硬盘；
- ◆ 支持局域网等私有云网络共享播放功能；
- ◆ 手机通过蓝牙或Wi-Fi支持HiBy Link控制本机播放；
- ◆ 支持BLE通用型蓝牙遥控器控制本机播放。

## 前面板功能说明-----



### 1、待机开关 (STANDBY)

- a.用于开机和待机。待机状态下长按开关开机，工作状态下长按开关进入待机状态；
- b.开机状态下亮屏时短按一下熄屏，熄屏时短按一下亮屏；

注意：本机总电源受本机后板上的电源开关控制，开机前需要先打开后板上的电源总开关。

### 2、USB 接口

连接U盘、读卡器、移动硬盘或USB解码器。

### 3、电源指示灯

- a.在待机状态，指示灯闪烁；
- b.在工作状态，指示灯常亮。

### 4、SD卡插口

最高支持1TB。

### 5、返回键

短按一下返回上级菜单；长按一下返回主菜单。

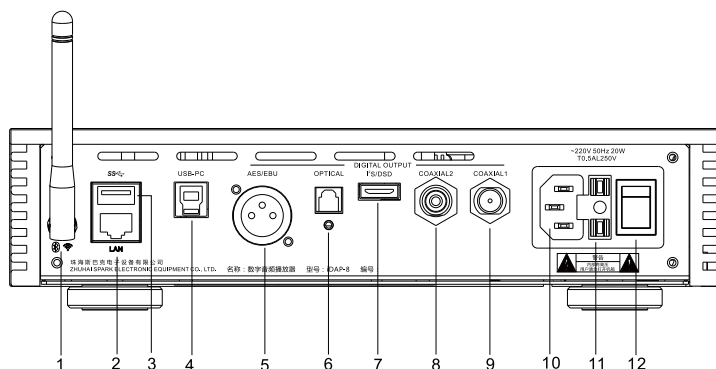
### 6、显示屏

显示本机的工作状态。

### 7、上一曲/下一曲旋钮/播放/暂停键

逆时针旋转（旋转两格）为上一曲，顺时针旋转（旋转两格）为下一曲。向面板方向按压按键，在歌曲列表界面则播放所选歌曲，在播放界面可暂停或播放当前歌曲，在播放图标高亮状态长按确认键则停止播放中的歌曲并返回主菜单。

## 后板功能说明-----



### 1、蓝牙/Wi-Fi天线 ( 2.4/5GHz )

使用前请先将 Wi-Fi/蓝牙天线安装到插座上。

### 2、LAN网络接口

LAN网络接口用于连接局域网或互联网。

### 3、USB3.0母座

连接U盘、读卡器、移动硬盘或USB解码器。

### 4、USB-B端子

用于连接电脑管理本机内存，SD卡，U盘/移动硬盘、硬盘文件。

### 5、AES平衡数字输出

此输出端子适用于跟具有AES/EBU数字音频输入端子的解码器连接使用。

### 6、光纤数字输出端子

此输出端子适用于跟具有光纤输入端子的解码器连接使用。

### 7、I<sup>2</sup>S/DSD数字输出 ( HDMI )

\* 此输出端子适用于跟本公司具有I<sup>2</sup>S ( HDMI ) 输入端子的解码器连接使用。不能保证跟其它品牌解码器的兼容性。

### 8、RCA同轴数字输出

此输出端子适用于跟具有同轴输入端子的解码器连接使用。

### 9、BNC同轴数字输出

此输出端子适用于跟具有同轴输入端子的解码器连接使用。

### 10、电源输入插座

交流工作电源由此插座输入。使用前请核对您所在地区的电网电压符合本机后板标示的电源条件要求。

### 11、保险管 ( FUSE )

如需更换，请使用相同规格的保险管 ( 本机配备了2只备用保险管 ) 。

### 12、电源总开关

使用本机前，需先将开关向上按至“开”位置，以打开本机总电源。

提示说明：

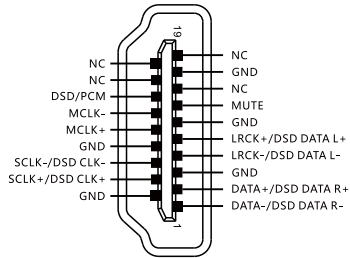
如果您近期没有使用本机的计划，建议您将电源总开关向下按至“关”位置，以关闭本机总电源。

## I<sup>2</sup>S 接口定义-----

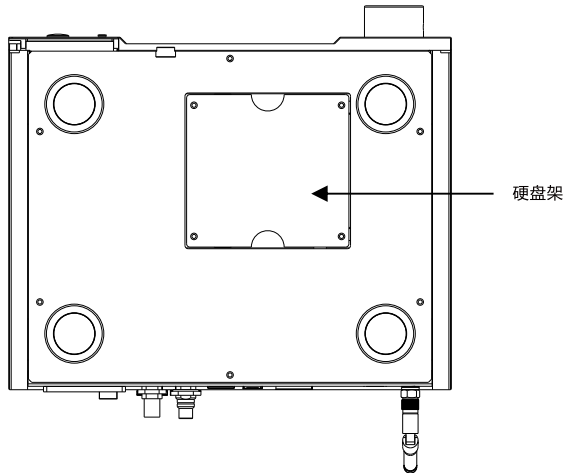
本机的I<sup>2</sup>S的物理接口采用标准的19针HDMI-A连接器,但引脚功能为本公司自定义,不兼容其它品牌的自定义接口,也不兼容标准的HDMI接口。

下面为本机HDMI连接器针脚定义：

Type-A



## 更换硬盘操作说明-----



- 把机器底部朝上，拧下硬盘架上的四个手拧螺丝，取下该硬盘架；硬盘架拿下来后，就可以更换硬盘了(更换硬盘时, 要注意硬盘拔插方向, 要顺着机器上硬盘槽水平方向拔出)。
- 更换硬盘后，把硬盘架装回去，拧紧四个手拧螺丝，把机器摆放好就完成整个硬盘更换工作了。

**注意：**1、本机硬盘接口为SATA接口，拔插硬盘前务必关闭电源总开关，并拔除AC电源线；

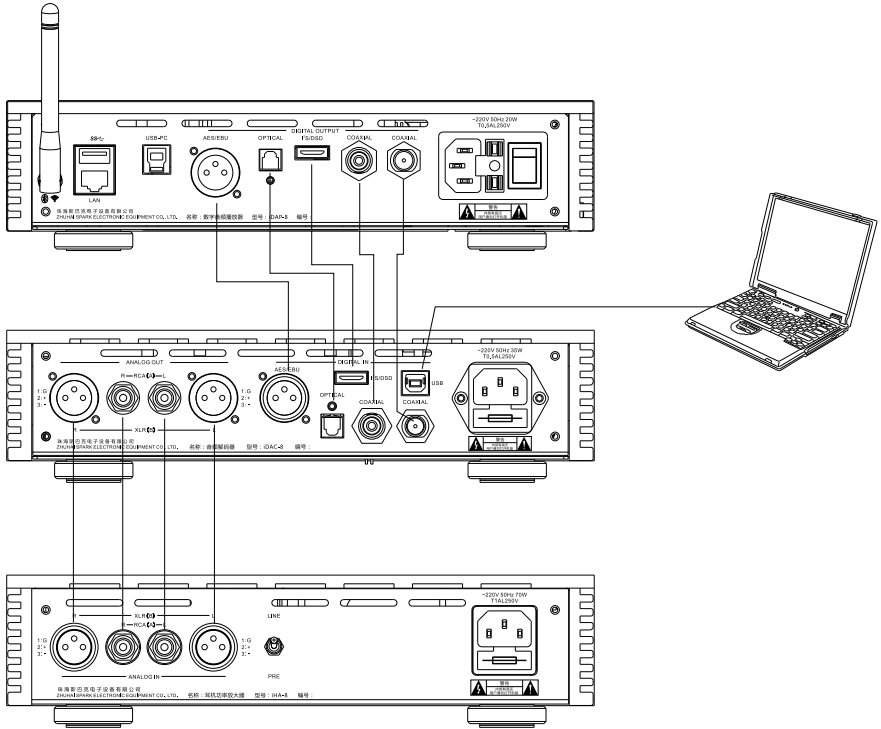
2、本机硬盘规格为2.5英寸的硬盘。

## 系统连接

### 1. 连接电源线

使用前先核对电网电压需与本机电压要求一致，确认相符后，再连接电源线！

### 2. 系统连接



连线图示范了本机与Cayin iDAC-8解码器和iHA-8耳机放大器的音频线连接，如连接其它产品使用，您可参考本范例。

### 3. 连接设备

- 连接解码器，可用标准75Ω同轴信号线缆，将解码器的同轴数字输入端子与本机的同轴数字输出端子连接；或者用光纤线缆将解码器的光纤数字信号输入端子与本机的光纤输出端子连接；或者用平衡数字线缆将解码器的平衡数字输入端子与本机的平衡数字输出端子连接；或者用HDMI线将本机的HDMI-A口与解码器的HDMI口连接；
- 连接电脑，用USB线将本机的USB接口（B型）与电脑的USB接口（A型）连接，就可以管理本机的文件了；

**注意：**本机的USB-B接口不能同时与本机的LAN网口使用，否则会导致电脑读取不到本机的文件或者本机访问不了互联网。

c) 连接耳机放大器，用平衡音频信号线将iDAC-8的平衡数字输入端子与本机的平衡输出端子连接；或者用非平衡线将iDAC-8的非平衡数字输入端子与本机的非平衡数字输出端子连接；用平衡音频信号线将耳机放大器(如Cayin iHA-8)的平衡模拟输入端子与解码器(如Cayin-iDAC-8)的平衡输出端子连接；或者用非平衡线将耳机放大器（如Cayin-iHA-8）的非平衡模拟输入端子与解码器(如Cayin-iDAC-8)的非平衡模拟输出端子连接，注意左右声道不要接反。

#### 4. WIFI和蓝牙的连接

连接蓝牙设备以无线方式听音乐。蓝牙设备在使用前需与Cayin iDAP-8配对。打开WLAN连接可以访问国际互联网或局域网。

#### 注意:

◆为避免功率放大器出现大噪声可能导致音箱或耳机损坏，请在连线前关闭各机器电源；

#### 操作说明-----

开机前,请再次确认电网电压与本机要求相符合,并再次检查系统连接准确无误。

##### 1. 开机操作

打开后板的电源总开关，总电源接通，此时本机还是处于关机状态。长按面板开关机按键，显示屏出现开机画面。

##### 2、主界面说明





### 1)、文件夹

管理本机或者SD卡、U盘、硬盘里的文件。

### 2)、本地音乐

本地音乐是指储存在本机、SD卡、U盘和移动硬盘里面的音乐文件。

本地音乐的主界面点击“扫描音乐”，完成扫描并更新音乐库后，可根据您喜好在本地音乐主界面点击“歌曲”、“专辑”、“歌手”、“风格”等音乐分类界面选择音乐文件播放；本机固件已内嵌海贝音乐APP，播放歌曲默认海贝音乐APP。

### 3)、网络功能



#### a. NAS

本机支持NAS局域网共享播放，选择将NAS功能打开，搜索网络存储服务器，并连接NAS服务器后，就可以访问NAS服务器了。

#### b. HiByLink

选择将HiBy Link功能打开，在您的安卓设备（如手机，平板电脑等）下载HiBy Music APP安装后打开，点击右上角"📷"图标找到Cayin iDAP-8后直接连接，这样就可以通过您的安卓设备遥控本机操作播放了。

#### c. WiFi传歌

选择将WiFi传歌功能打开，在您的安卓设备（如手机，平板电脑等）下载安装海贝音乐APP后打开，点击左上角头像图标，找到"WiFi传歌"，根据实际来选择"使用手机传歌"或"使用电脑传歌"。

注意：1、要保证传输歌曲的两个设备连接在同一个WiFi网络下；

2、要确保接收设备进入到传歌界面且保持屏幕点亮；

#### d. HiByCast

选择将HiByCast功能打开，在您的安卓设备（如手机，平板电脑等）并下载安装HiByCast客户端打开后，输入本机的连接码或者IP地址，连接到本机，就可以在您的安卓设备上远程控制本机了。

#### 4)、流媒体APP

iDAP-8需要安装第三方软件时，只能在本机自带的“流媒体APP”里添加，只有在“流媒体APP”里有的APP才能安装。

#### 5)、歌单

在"歌单"里可以根据喜好分类各种歌单。

#### 6)、输出选择



##### a. S/Pdif

S/Pdif 输出：本机 S/Pdif 信号通过光纤、RCA同轴、BNC同轴、AES平衡端子输出,选择S/Pdif输出时，四个输出口都同时有信号，都可以单独或一起连接外部数模转换器使用。选择S/Pdif输出后，会关闭本机I<sup>2</sup>S

##### b. I<sup>2</sup>S

I<sup>2</sup>S输出：本机I<sup>2</sup>S信号通过 HDMI 接口输出。请使用高质量 HDMI 信号线(需另行购买)连接具有I<sup>2</sup>S信号接收功能的外部数模转换器。选择I<sup>2</sup>S后，会关闭本机S/Pdif。

#### 7)、音频设置

音频设置：设定音频方面的功能，包括设定数字输出、MQA解码。

请注意：这些音频设置对本机运行的所有媒体播放软件都有效。

#### 8)、系统设置

系统设置：安卓系统上的一些设置，包括网络和互联网、已连接的设备、显示、音频设置、系统、关于设备；可以根据实际需要进行设置。

### 3、下拉菜单说明

从屏幕顶部向下拖拽，可以进入通知栏，再向下拖拽一次，便可进入快速设定页进行设置，点击下拉菜单下面的齿轮图标可进行全面的设置。

除了常见的 Android 功能外，快速设定页提供了以下快捷设置功能：

- a. 数字输出：可以选择I<sup>2</sup>S或S/PDIF。
- c. HiBy Cast：可以通过HiBy Cast功能进行投屏使用。
- d. 音频设置：详细说明请看回"主界面说明之7"

### 产品规格及性能指标-----

| 产品基本规格 |             |        |                     |
|--------|-------------|--------|---------------------|
| CPU型号  | 高通骁龙660     | 操作系统   | Android 9.0         |
| 屏幕     | 5吋全高清TFT显示屏 | 外形尺寸   | 270*215*70mm(W*D*H) |
| 机身重量   | 约4.4KG      | 最大消耗功率 | 20W                 |

| 数字音频输出               |  |
|----------------------|--|
| USB DAC<br>OUT       | 连接器：USB Type-A   |
|                      | 最高支持 PCM 32Bit/768kHz  |
|                      | 最高支持 DSD512  |
| I <sup>2</sup> S/DSD | 连接器：HDMI Type-A<br>( DAP通过HDMI接口传输信号，与标准HDMI设备不兼容 )  |
|                      | 最高支持 PCM 32Bit/768kHz  |
|                      | 最高支持 DSD512  |
| S/Pdif               | 连接器：RCA、BNC、XLR  |
|                      | 最高支持 PCM 24Bit/192kHz  |
|                      | 最高支持 DoP64   |
| 光纤支持规格               | 最高支持 PCM 24Bit/192kHz  |
|                      | 最高支持 DoP64   |
| Bluetooth            | transmit Codec (发送): UAT(up to 192kHz)、LDAC(up to 96kHz)、aptX、aptX HD、AAC(up to 48kHz)、SBC(up to 48kHz)<br>Receive Codec (接收): UAT(up to 192kHz)、LDAC(up to 96kHz)、AAC(up to 48kHz)、SBC(up to 48kHz) |
| 播放支持规格               | DSF/DFF/SACD-ISO/FLAC/AIFF/<br>WAV/APE/ALAC/WMA/MP3/AAC/OGG  |

## 一般故障处理-----

为了使设备能维持其卓越性能，请注意做好保养和正确操作。不正确的操作会导致误认为故障，如果本机有问题请检查下列事项。有时候问题可能出在其他设备上，请检查其他设备以及相关的连接线路，如果故障未被消除，请与斯巴克公司经销商或市场营销部联系。

| 故障现象             |         | 可能的原因    | 解决的办法              |
|------------------|---------|----------|--------------------|
| 开机后无声音输出         | 电源指示灯不亮 | 电源没有接通   | 检查供电电路及电源是否与插座接触不良 |
|                  |         | 保险丝已断    | 更换相同规格的保险丝         |
|                  | 电源指示灯常亮 | 信号线没有连接好 | 重新连接信号线            |
| 连接USB线时，电脑无法识别设备 |         | USB数据线不良 | 更换USB 数据线          |

欢迎扫描二维码访问：



WeChat 微信号



Weibo-SINA 新浪微博



Official Website 官网

珠海斯巴克电子设备有限公司

[www.cayin.cn](http://www.cayin.cn)

电话：0756-3828711 传真：0756-3828722 E-mail:market@cayin.cn

地址：广东省珠海市联港工业区联发路9号

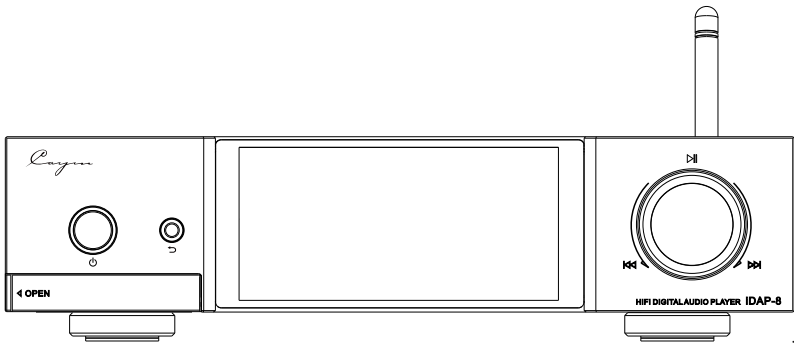
邮编：519045

重要说明：*Cayin* 为珠海斯巴克电子设备有限公司注册商标！购买时请认清此标志，提防假冒！

V1.0 20240116

*Cayin*<sup>®</sup>

## **iDAP-8 HIFI DIGITAL AUDIO PLAYER**



**User Manual**

We would like to express our sincere gratitude to you for selecting the Cayin iDAP-8 High Fidelity Digital Audio Player. To assist you in comprehending its features, as well as becoming acquainted with its operation, we have prepared this manual. We highly recommend that all customers thoroughly review this manual before commencing usage of the device.

## Contents

|  |      |
|--|------|
| Contents.....                                | 1    |
| Package Content .....                        | 2    |
| Product Features.....                        | 2    |
| Front Panel Functional Description.....      | 3    |
| Rear Panel Functional Description.....       | 4    |
| I <sup>2</sup> S Interface Definition.....   | 5    |
| Instructions for Hard Drive Replacement..... | 5    |
| Setup of the machine.....                    | 6-7  |
| Basic Operation.....                         | 7-10 |
| Specification.....                           | 10   |
| Troubleshooting.....                         | 11   |

Attention :

- ◆ Please make sure the serial number on the package, chassis and warranty card are intact and identical. In case of damage , missing or tempered on warranty card or serial number, Cayin reserves the right to refuse warranty service for the machine .
- ◆ All rights reserved. Any form of reproduction, transmission, distribution, or storage of the iDAP-8 documentations and/or tamper of the system firmware is strictly prohibited without written approval from Cayin .
- ◆ The user manual is a documentation of the product based on the specification at the time of print. Cayin reserves the right to change product specification without prior notice .

## **Package Content -----**

Please examine the product package before you open it , the package should be free from any physical damage or water stain . You should find the following items when you open the package:

1. iDAP - 8 High Fidelity Digital Audio Player × 1 unit
2. User Manual ×1 copy
3. Replacement Fuss ×2 units
4. Warranty Card × 1 copy
5. Power Cord ×1 piece
6. WiFi/ Bluetooth Antenna ×1 piece

Attention: The product package should only include the items listed.

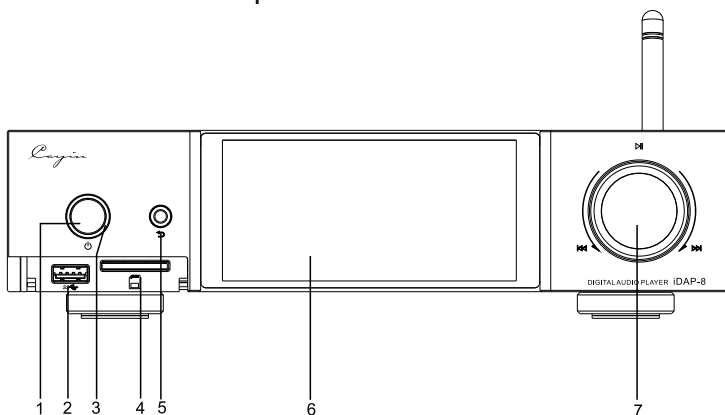
If maintenance services are required, please complete the warranty card and submit it to the authorized dealer within two weeks or mail it back to our sales department. We will provide you with comprehensive and attentive after-sales service. It is recommended to save the packaging and packing materials for future shipment use.

## **Design Features-----**

- The iDAP-8 is a DAP (Digital Audio Player) based on the Android system;
- A 5-inch full HD TFT display screen.
- Support for multiple digital audio outputs including USB DAC Output (Both front and rear USB-A socket), I2S (HDMI), and S/PDIF (AES/EBU, BNC, RCA, OPTICAL).
- Two USB 3.0 Type-A sockets for playing music from USB flash drives or card readers.
- One SD card slot for playing music or firmware upgrades.
- One USB 3.0 Type-B socket for connecting to a computer to manage files on USB drives and hard drives.
- A hard drive slot capable of accommodating a 2.5-inch SATA hard drive.
- Support file sharing via Ethernet or WiFi connection , facilitating communicate with a diverse array of networked devices through Samba , DLNA and Airplay.
- Control of playback through HiBy Link from a smartphone via Bluetooth or Wi-Fi.
- Support for controlling playback via a BLE universal Bluetooth remote control.



## Front Panel Functional Description-----



### 1. Standby Switch (STANDBY)

- Used for powering on and entering standby mode. To power on when in standby mode, press and hold the switch; to enter standby mode when operational, press and hold the switch.
- When the device is powered on and the screen is illuminated, a short press will turn off the screen; when the screen is off, a short press will illuminate it.

Note: The main power of the device is controlled by the power switch on the rear panel. Before powering on, make sure to turn on the main power switch on the rear panel of the device.

### 2. USB slot

Connects to USB flash drives, card readers, portable hard drives, or a USB DAC.

### 3. Power Indicator Light

- In standby mode, the indicator light flashes.
- In operational mode, the indicator light remains on.

### 4. SD Card Slot

Supports up to 1TB.

### 5. Return Button

A short press returns to the previous menu; a long press returns to the main menu.

### 6. Display Screen

Displays the operational status of the device.

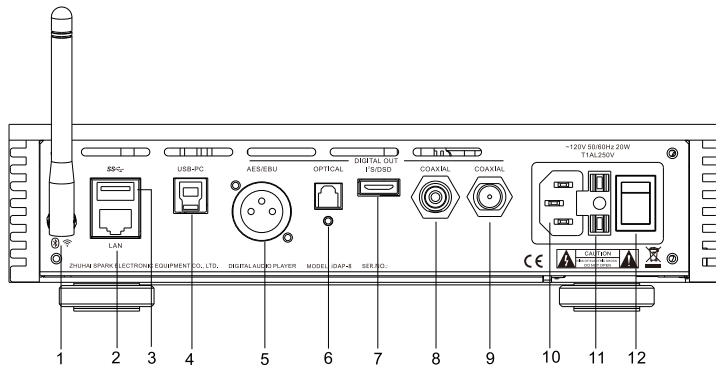
### 7. Previous Track/Next Track Knob/Play/Pause Button

Rotate counterclockwise (two clicks) for the previous track, clockwise (two clicks) for the next track. Press the button: in the song list interface, it plays the selected song; in the playback interface, it pauses or plays the current song; in the state when playback icon was highlighted, a long press stops the playback and returns to the main menu.

At the playlist screen, rotate to select a song and push the button once to start playback.

At the Playback screen you can rotate the knob to highlight a control icon (previous, play/pause, next, playlist, my favorite etc) at the bottom of the screen and then push the button once to activate the action. Hold the button for 2 second will always go back to the Home Screen.

## Rear Panel Functional Description-----



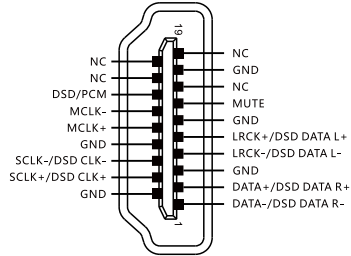
1. Bluetooth/Wi-Fi Antenna (2.4/5GHz)  
Before use, please install the Wi-Fi/Bluetooth antenna onto the socket.
  2. LAN Network Interface  
The LAN network interface facilitates connections to either a local area network or the internet.
  3. USB 3.0 Ports  
Connect USB flash drives, card readers, portable hard drives, or a USB DAC.
  4. USB-B Port  
Enables connection to a computer for managing internal memory, SD cards, USB flash drives/portable hard drives, or hard drive files.
  5. AES Digital Balanced Output  
This output terminal is designed for connecting to DAC with AES/EBU digital audio input terminals.
  6. Optical Digital Output Terminal  
This output terminal is designed for connecting to decoders with optical input terminals.
  7. I<sup>2</sup>S/DSD Digital Output (HDMI)  
\*This output terminal is intended for connecting to DACs featuring I2S (HDMI) input terminals following the wiring order provided by our company. Compatibility with DACs from other brands cannot be guaranteed.
  8. RCA Coaxial Digital Output  
This output terminal is designed for connecting to DAC with coaxial input terminals.
  9. BNC Coaxial Digital Output  
This output terminal is designed for connecting to DAC with coaxial input terminals.
  10. Power Input Socket  
Please connect through this socket with AC power. Before use, ensure that the voltage of your local power grid complies with the power requirements indicated on the rear panel of the device.
  11. Fuse  
If replacement is necessary, please use a fuse of the same specifications (Two replacement fuses are provided within the package).
  12. Main Power Switch  
Before using the device, ensure that the switch is pressed upwards to the "On" position to turn on the main power.
- Tips:  
If you are not going to use the player for a while, it is recommended to turn off the main power supply.

## I<sup>2</sup>S Interface Definition-----

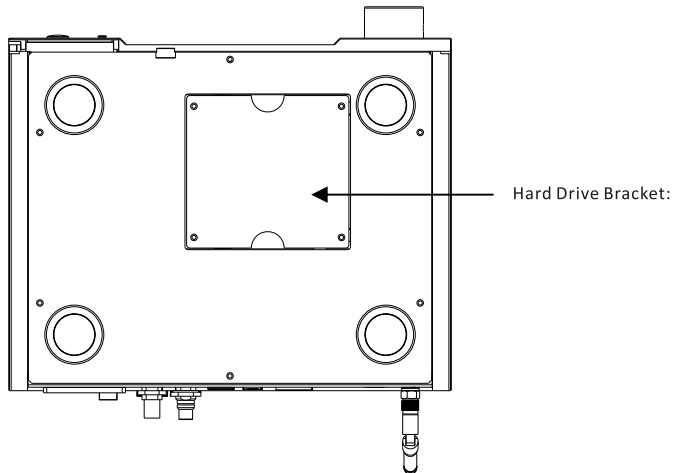
The I<sup>2</sup>S connector on this unit adopts the standard 19-pin HDMI-A connector, however, the pinout is customized by our company for better compatibility with Cayin's Transports and DAPs that feature I<sup>2</sup>S. We cannot guarantee that it is compatible with I<sup>2</sup>S connectors of the other brands, nor standard HDMI connectors.

The following is the definition of the HDMI connector pinout for this unit:

Type-A



## Instructions for Hard Drive Replacement-----



- a. Turn the machine upside down and unscrew the four screws on the hard drive bracket to remove it. Once the hard drive bracket is removed, you can proceed to replace the hard drive (when replacing the hard drive, pay attention to the direction of insertion and removal, and pull it out along the horizontal direction of the hard drive slot on the machine).
- b. After replacing the hard drive, reattach the hard drive bracket, tighten the four screws, and position the machine properly.

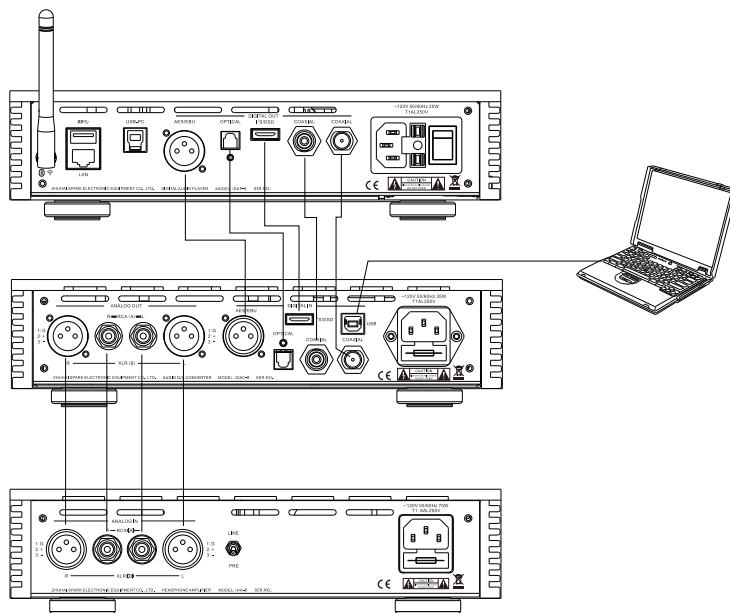
Note: 1. The hard drive interface of this machine is SATA. 2. Before inserting or removing the hard drive, be sure to turn off the main power switch and unplug the AC power cord; 3. The machine is compatible with 2.5-inch hard drives.

## Preparation-----

### 1. Connecting the Power Cord

Before use, verify that the voltage of the power grid matches the voltage requirements of the machine. Once confirmed, proceed to connect the power cord.

### 2. Connection of the Separates System



The connection diagram illustrates the audio line connections between this device and the Cayin iDAC-8 DAC as well as iHA-8 headphone amplifier. If connecting to other products, you can refer to this example.

#### 1.Connecting to Devices

##### a) Connect to the DAC:

Use a standard 75Ω coaxial cable to connect the coaxial digital input terminal of the DAC to the coaxial digital output terminal of the iDAP-8; or use an optical cable to connect the optical digital signal input terminal of the DAC to the optical output terminal of the machine; or use a balanced digital cable to connect the balanced digital input terminal of the DAC to the balanced digital output terminal of the machine; or use an HDMI cable to connect the HDMI-A port of the DAC to the HDMI port of the iDAP-8.

##### b) Connect to the Computer:

Use a USB cable to connect the USB Type-B port of the machine to the USB port (Type-A) of the computer to manage the files on the machine.

Note: The USB-B port of the machine cannot be used simultaneously with the LAN port of the iDAP-8, otherwise it may result in the computer being unable to read the files on the machine or the machine being unable to access the internet.

c) Connect to the Headphone Amplifier:

Use a balanced audio signal cable to connect the balanced digital input terminal of the iDAC-8 to the balanced output terminal of the machine; or use an unbalanced cable to connect the unbalanced digital input terminal of the iDAC-8 to the unbalanced digital output terminal of the machine. Use a balanced audio signal cable to connect the balanced analog input terminal of the headphone amplifier (such as Cayin iHA-8) to the balanced output terminal of the DAC (such as Cayin iDAC-8); or use an unbalanced cable to connect the unbalanced analog input terminal of the headphone amplifier (such as Cayin iHA-8) to the unbalanced analog output terminal of the DAC (such as Cayin iDAC-8). Please pay attention that the left and right channels are connected correctly.

4. WIFI and Bluetooth Connection

Connect to Bluetooth devices for wireless music playback. Bluetooth devices need to be paired with the iDAP-8 before use. Turning on WLAN connection allows access to the international internet or local network.

Note:

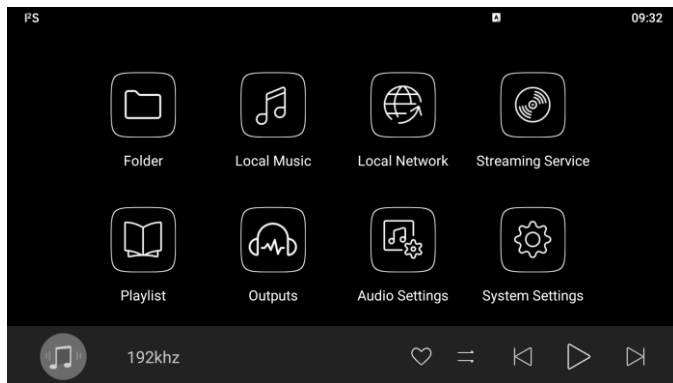
To avoid damage to your headphone amplifier and headphones due to high volume of noise during connection, please turn off the power of each unit before connecting.

## Basic Operation -----

Before powering on, please confirm once again that the grid voltage matches the machine's requirements, and verify that the system connections are accurate and error-free.

1. Power On Procedure:

Turn on the main power switch on the rear panel to activate the main power. At this point, the machine is still in the powered-off state. Press and hold the power button on the panel until the startup screen appears on the display.



## 2. Main Interface Explanation:

### 1) Folder

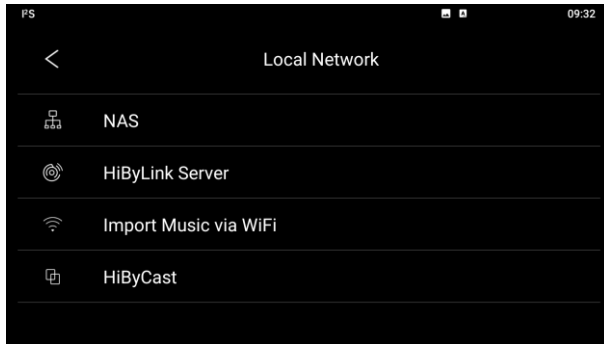
Manage files in the machine, SD card, USB flash drive, or hard drive.

### 2) Local Music:

Local music refers to the music files stored in the machine, SD card, USB flash drive, and mobile hard drive.

On the main interface of local music, click "Scan Music" to complete the scanning and update of the music library. After that, you can select music files for playback based on your preferences by clicking on "Songs," "Albums," "Artists," "Genres," and other music category interfaces. The HiBy Music app comes pre-installed in the current firmware and serves as the default music playback application.

### 3) Network Functions:



#### a. NAS:

The machine supports NAS local network sharing playback. Select to enable the NAS function, search for network storage servers, and connect to the NAS server to access NAS resources.

#### b. HiByLink:

Select to enable the HiByLink function. After downloading and installing the HiBy Music app on your Android device (such as a smartphone, tablet, etc.), open the app, click on the "🔗" icon in the upper right corner to find Cayin iDAP-8, and connect directly. This allows you to remotely control the machine operation and playback using your Android device.

#### c. WiFi Song Transfer:

Select to enable the WiFi Song Transfer function. After downloading and installing the HiBy Music app on your Android device (such as a smartphone, tablet, etc.), open the app, click on the profile icon in the upper left corner, and find "Import music via WiFi". Choose "Transfer music files from smartphone" or "Transfer music files from computer" as per your preference.

#### Note:

Ensure that both devices for transferring songs are connected to the same WiFi network. Ensure that the receiving device enters the song transfer interface and keeps the screen on.

#### d. HiByCast:

Select to enable the HiByCast function. After downloading and installing the HiByCast app on your

Android device (such as a smartphone, tablet, etc.), open the app, enter the machine's connection code or IP address to connect to the machine. This allows remote control of the machine from your Android device.

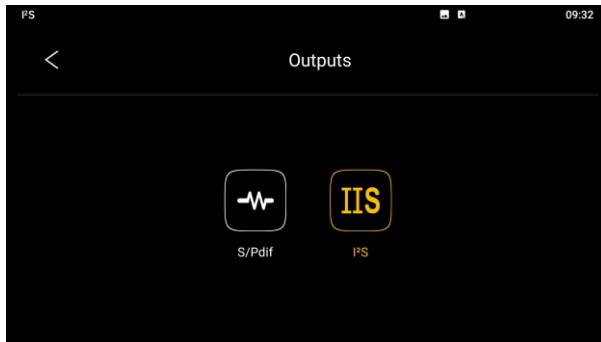
#### 4) Music Streaming App

Please be advised that third-party software can only be added through the pre-installed "Streaming Media App" on the device. Only apps available within the "Streaming Media App" can be installed.

#### 5) Playlists

Various playlists can be categorized based on preferences.

#### 6) Output Selection:



##### a. S/PDIF Output

The S/PDIF signal of the device is output through optical, RCA coaxial, BNC coaxial, and AES balanced terminals. When selecting S/PDIF output, all four output ports have signals simultaneously, and can be individually or collectively connected to external digital-to-analog converters for use. Selecting S/PDIF output will disable the I<sup>2</sup>S of the device.

##### b. I<sup>2</sup>S Output

The I<sup>2</sup>S signal of the device is output through the HDMI interface. Please use a up to standard HDMI cable to connect to an external digital-to-analog converter with I<sup>2</sup>S decoding capability. Selecting I<sup>2</sup>S output will disable the S/PDIF of the device.

#### 7) Audio Settings: Configures audio-related functions, including digital output and MQA decoding.

Note: These audio settings apply to all media playback software running on the device.

#### 8) System Settings: Android system settings, including network, connected devices, display, audio settings and system. Settings can be adjusted according to actual needs.

#### 3. Quick Settings Explanation:

To access the Quick Settings panel, swipe down from the top of the screen, then, swipe down once more to access the quick settings page for making adjustments. To access more detailed settings, tap

the "Gear" icon located below the Quick Settings menu.

In addition to common Android functions, the quick settings page provides the following shortcut settings:

- a. Digital Output: Allows selection between I<sup>2</sup>S or S/PDIF.
- b. HiBy Cast: Enables screen mirroring via the HiBy Cast feature.
- c. Audio Settings: For detailed instructions, refer to "Audio Settings" under " Basic Operation Explanation 7".

## Specification-----

| Basic Specification |                            |                       |                     |
|---------------------|----------------------------|-----------------------|---------------------|
| CPU Model           | Qualcomm Snapdragon 660    | operating system      | Android 9.0         |
| Screen              | 5-inch Full HD TFT display | Dimension             | 270*215*70mm(W*D*H) |
| Net Weight          | Approximately 4.4KG        | Max power consumption | 20W                 |

| Digital audio output |   |
|----------------------|---|
| USB DAC OUT          | Connector:USB Type-A  |
|                      | Up to PCM 32Bit/768kHz  |
|                      | Up to DSD512  |
| I <sup>2</sup> S/DSD | Connector:HDMI Type-A<br>(The device transmits I <sup>2</sup> S signal with HDMI connector, it is not compatible with standard HDMI device)   |
|                      | Up to PCM 32Bit/768kHz  |
|                      | Up to DSD512  |
| S/Pdif               | Connector : RCA、BNC、XLR   |
|                      | Up to PCM 24Bit/192kHz  |
|                      | Up to DoP64   |
| OPTICAL              | Up to PCM 24Bit/192kHz  |
|                      | Up to DoP64   |
| Bluetooth            | Transmit Codec (Transmit): UAT(up to 192kHz)、LDAC(up to 96kHz)、aptX、aptX HD、AAC(up to 48kHz)、SBC(up to 48kHz)<br>Receive Codec (Receive): UAT(up to 192kHz)、LDAC(up to 96kHz)、AAC(up to 48kHz)、SBC(up to 48kHz) |
| File format          | DSF/DFF/SACD-ISO/FLAC/AIFF/<br>WAV/APE/ALAC/WMA/MP3/AAC/OGG   |



## Trouble shooting-----

To ensure optimal performance of the machine, it is essential to adhere to proper maintenance procedures and operate it correctly. Incorrect operation may lead to abnormal functioning of the machine. Should any issues arise with the unit, please perform the following checks. It is possible that the problem may originate from other equipment; therefore, please also inspect the other devices and relevant connections. If the problem persists, kindly reach out to your nearest authorized dealer or Cayin's marketing department for further inspection and assistance.

| Problem  |                        | Cause  | Remedy  |
|--|------------------------|--|---|
| No sound output after power on   | Power Indicator is Off | Power is not connected                         | Make sure power cable is properly connected to a power outlet; Check whether the rear panel main power button is on . |
|  |                        | The fuse is blown                              | Replacement of fuses of the same specification  |
|  | Power Indicator is on  | Audio cable is not connected properly          | Reconnect audio cable   |
| The computer does not recognize the device when the USB cable is connected |                        | USB cable not complying with USB 2.0 standards | Replace the USB cable with a proper USB2.0 cable  |